

SPT AUTO HAMMER

Collect reliable, accurate and consistent Standard Penetration Test samples (SPT) with the Viking™ SPT Auto Hammer. 140 lb (64 kg) drive weight, no cable or rope to impede free-fall, multiple swing hinge mount options to suit your rig and fully enclosed for optimum safety. Add this affordable attachment and take on Geotechnical projects!



VALUE BY DESIGN

778-908-3241 • info@viking-west.com
www.viking-west.com



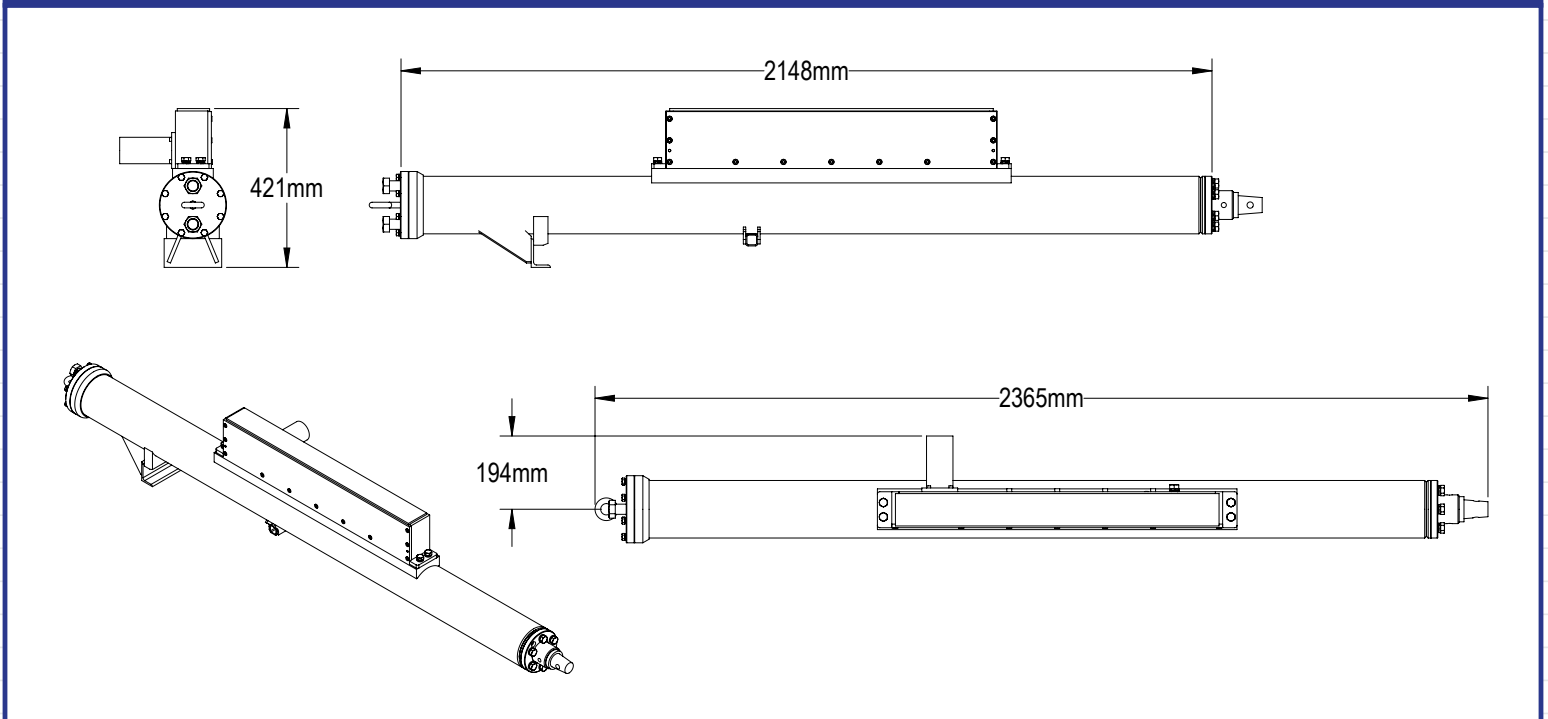
VIKINGWEST
ENGINEERED PRODUCTS

CONSTRUCTION • DEMOLITION • DRILLING • FORESTRY

Viking West Engineered Products reserves the right to make design changes and/or improvements in the products they manufacturer at any time. Specifications are subject to change without notice.

MODEL	SPT140	
Weight (Slug - ASTM D1586)	140 lb.	64 kg
Overall Dimensions (LxWxH)	16-1/2 x 10-5/8 x 93-1/8 in.	421 x 270 x 2365 mm
Weight Free Fall Distance	30 in.	762 mm
Percussion Rate (Variable)	0-60 blows per minute	
Hydraulic Flow	3.94 gpm	18 Lpm
Hydraulic Pressure	870 psi	60 bar
Weight (complete assembly)	420 lb.	190 kg

DIMENSIONAL DRAWINGS



MAIN PRODUCT FEATURES:

- ▶ Fully Automatic Hydraulically Driven SPT hammer.
- ▶ All moving parts and impact surfaces are fully enclosed yet easily accessible for maintenance.
- ▶ Easily adapted to any drill rig or suspend from wire line. Easy ON/OFF design.
- ▶ Hydraulic motor drive powered by rigs auxiliary hydraulic circuit.
- ▶ Electronic Blow Counter (Optional)

VALUE BY DESIGN

778-908-3241 • info@viking-west.com
www.viking-west.com



VIKINGWEST
ENGINEERED PRODUCTS

CONSTRUCTION • DEMOLITION • DRILLING • FORESTRY

Viking West Engineered Products reserves the right to make design changes and/or improvements in the products they manufacturer at any time. Specifications are subject to change without notice.